



NAVIS

WINDY WR3B

wireless anemometer
with alarm

WINDY WR3B is a long range portable wireless anemometer. It has handheld/portable display unit and sensor suitable for both - permanent or temporary installation. Sensor with ball bearings and long life battery ensure long period without servicing. Sensor send data every 2 seconds so you have instant information about wind speed anywhere in the 400 m radius from the sensor. Each sensor has its own address so several anemometers can operate in close proximity

FEATURES

- stainless steel ball bearings ensure long life of the sensor
- up to 4 years sensor battery life, replaceable Lithium battery
- long range - distance between sensor and display unit up to 400 m
- shock resistant display unit with rubber sides
- large digits on illuminated LCD display ensures excellent visibility at day and night
- low power consumption allow long operation time

FUNCTIONS

- current wind speed
- maximum wind speed
- average wind speed (selectable averaging)
- all standard units (knots, m/s, km/h, mph)
- Beaufort bar graph
- temperature in Celsius or Fahrenheit degree
- wind chill - subjective ambient temperature dependent on wind speed
- sound alarm at exceeded wind speed



range up to
400 m





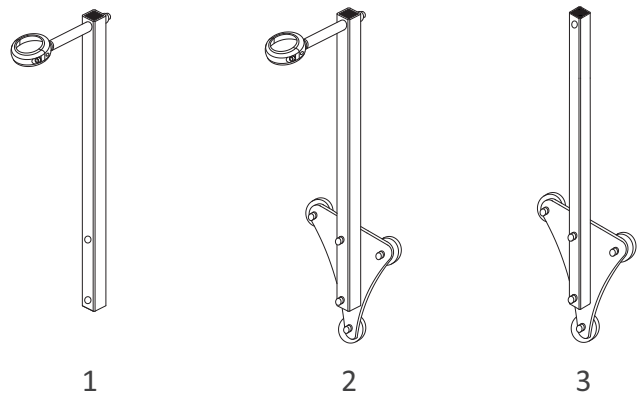
NAVIS

TECHNICAL DATA

Wind speed measurement range:	0,7...50 m/s
Current wind speed:	2 seconds update
Average wind speed:	selectable averaging 10 s, 30 s, 2 min or 5 min
Temperature measurement range:	-30...+60 °C
Wind speed units:	m/s, km/h, knots, mph, Bft
Temperature units:	°C, °F
Wind speed resolution:	0,1 unit (under 9,9), 1 unit (above 10)
Temperature resolution:	1 °C
Wind speed accuracy:	+/- 3 %
Temperature accuracy:	+/- 1 °C
Temperature operating range:	-10...+50 °C
Data transmitting:	every 2 seconds
Communication frequency :	868 MHz, 915 MHz (FCC model: 908 - 915 MHz)
Battery - sensor:	1 x 3,6 V AA Lithium battery, replaceable (included)
Battery life - sensor:	up to 4 years
Battery - display unit:	2 x 1,5 V AA - mignon
Battery life - display unit:	up to 5000 hours
Battery life with backlighting:	up to 300 hours
Dimensions - sensor:	height 210 mm, overall diameter cup to cup 120 mm
Material - sensor:	polyamide cups, Aluminum base
Casing- display unit:	ABS, 94 x 63 x 28 mm
Mounting:	the sensor mounts on a pipe with \varnothing 20 mm diameter

SENSOR MOUNTING ACCESSORIES

- 1 SLMA/WS Self-levelling mounting assembly for WS sensor
- 2 MSLMA/WS Magnetic self-levelling mounting assembly for WS sensor
- 3 MMA/WS Magnetic mounting assembly for WS sensor



SPARE PARTS

- 4 Spare anemometer cups
- 5 WS sensor head with bearings

